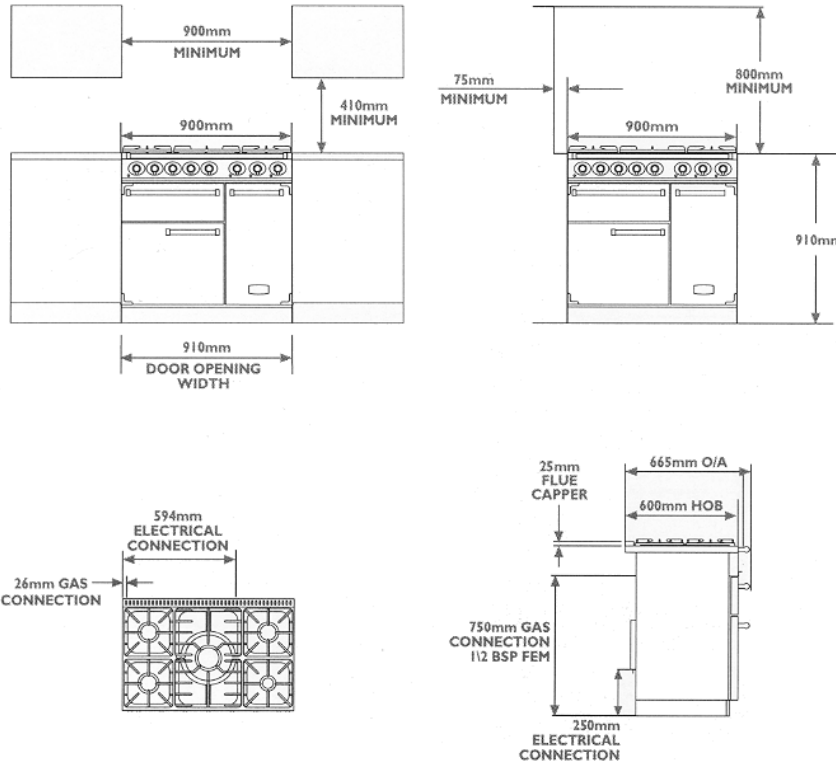




Falcon 900 - 210 GEO T Dual Fuel Technical Sheet

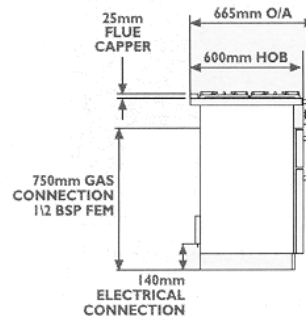
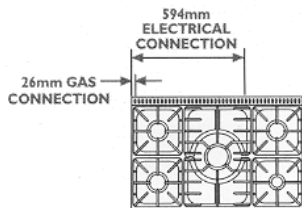
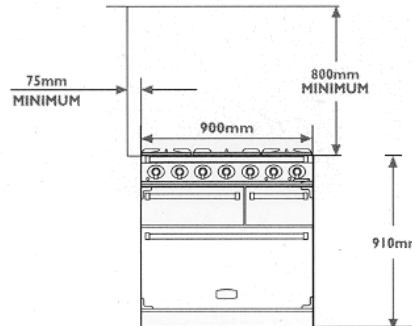
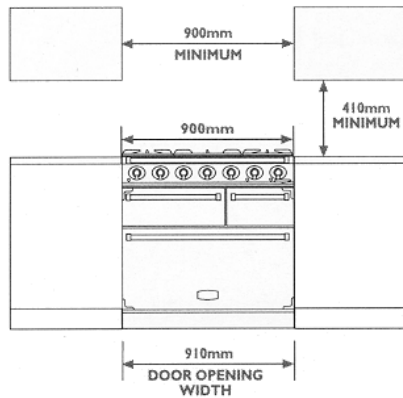


Technical Specification

210-GEO T	Dual Fuel
Dimensions in mm WxDxH	900 x 610 x 910
Weight	150 kg (333lbs)
Power ratings – Hob	3 x 3 kW
	1 x 5.2kW (wok burner)
	1 x 1.7kW (simmer burner)
Total Hob rating	15.7 kW
– Grill (Electric)	1 x 2.3 kW
– Oven (LH)	1 x 2.65 kW (electric)
– Oven (RH)	1 x 2.65 kW (electric)
Total rating	15.7kW (gas), 7.6kW (electric)
Oven Capacity (LH)	61 litres
Oven Capacity (RH)	49 litres
Internal Oven Dimensions (LH) Fan Assisted	432 x 342 x 415
Internal Oven Dimensions (RH) Fan Assisted	250 x 342 x 570
Power supply	230V (50Hz) 40 amp Single phase
Gas Connection	1/2" BSP
Unit Side Panels	Black



Falcon 900 - 111 GEO All Gas Technical Sheet



Technical Specification

111-GEO	Dual Fuel
Dimensions in mm WxDxH	900 x 600 x 910
Weight (net)	131.5 kg (290 lbs)
Power ratings – Hob	3 x 3 kW
	1 x 5.2 kW (wok burner)
	1 x 1.7 kW (simmer burner)
– Grill	2 x 1.3 kW (electric)
– Oven	1 x 5.3 kW (electric)
Total rating	15.7 kW (gas)
	7.9 kW (electric)
Gas connection	1/2" BSP female
Power supply	230V (50Hz) 40 amp
Oven capacity	118 litres
Internal Oven dimensions in mm (Fan Assisted)	760 x 390 x 400
Unit Side Panels	Black